

# INTERFACING INPUT OUTPUT DEVICES

## Lecture 1

# 8085 interfacing with I/O Devices

Microprocessor need to Identify I/O devices with binary number.

IO devices can be interfaced:

- **Memory-Mapped I/O** (using addresses from memory space)
  - Device is identified by 16-bit address (Space ranges from 0000H – FFFFH)
- **Standard I/O mapped or isolated I/O mapping /Peripheral Mapped I/O** has separate numbering scheme for I/O devices
  - Instructions IN/OUT are used for data transfer
  - Device is identified by 8-bit address (Space ranges from 00H –FFH)

# Memory Mapping Vs Peripheral

Memory Mapping of I/O device	I/O Mapping of I/O device
<ol style="list-style-type: none"> <li>1. 16-bit addresses are provided for I/O devices.</li> <li>2. The devices are accessed by memory read or memory write cycles.</li> <li>3. The I/O ports or peripherals can be treated like memory locations and so all instructions related to memory can be used for data transfer between I/O device and the processor.</li> <li>4. In memory mapped ports the data can be moved from any register to ports and vice-versa.</li> <li>5. When memory mapping is used for I/O devices, the full memory address space cannot be used for addressing memory. Hence memory mapping is useful only for small systems, where the memory requirement is less.</li> <li>6. In memory mapped I/O devices, a large number of I/O ports can be interfaced.</li> <li>7. For accessing the memory mapped devices, the processor executes memory read or write cycle. During this cycle <math>IO/\overline{M}</math> is asserted <b>low</b> (<math>IO/\overline{M} = 0</math>).</li> </ol>	<ol style="list-style-type: none"> <li>1. 8-bit addresses are provided for I/O devices.</li> <li>2. The devices are accessed by I/O read or I/O write cycle. During these cycles the 8-bit address is available on both low order address lines and high order address lines.</li> <li>3. Only IN and OUT instructions can be used for data transfer between I/O device and the processor.</li> <li>4. In I/O mapped ports the data transfer can take place only between the accumulator and ports.</li> <li>5. When I/O mapping is used for I/O devices then the full memory address space can be used for addressing memory. Hence it is suitable for systems which requires large memory capacity.</li> <li>6. In I/O mapping only 256 ports (<math>2^8 = 256</math>) can be interfaced.</li> <li>7. For accessing the I/O mapped devices, the processor executes I/O read or write cycle. During this cycle <math>IO/\overline{M}</math> is asserted <b>high</b> (<math>IO/\overline{M} = 1</math>).</li> </ol>

# Peripheral I/O Instructions

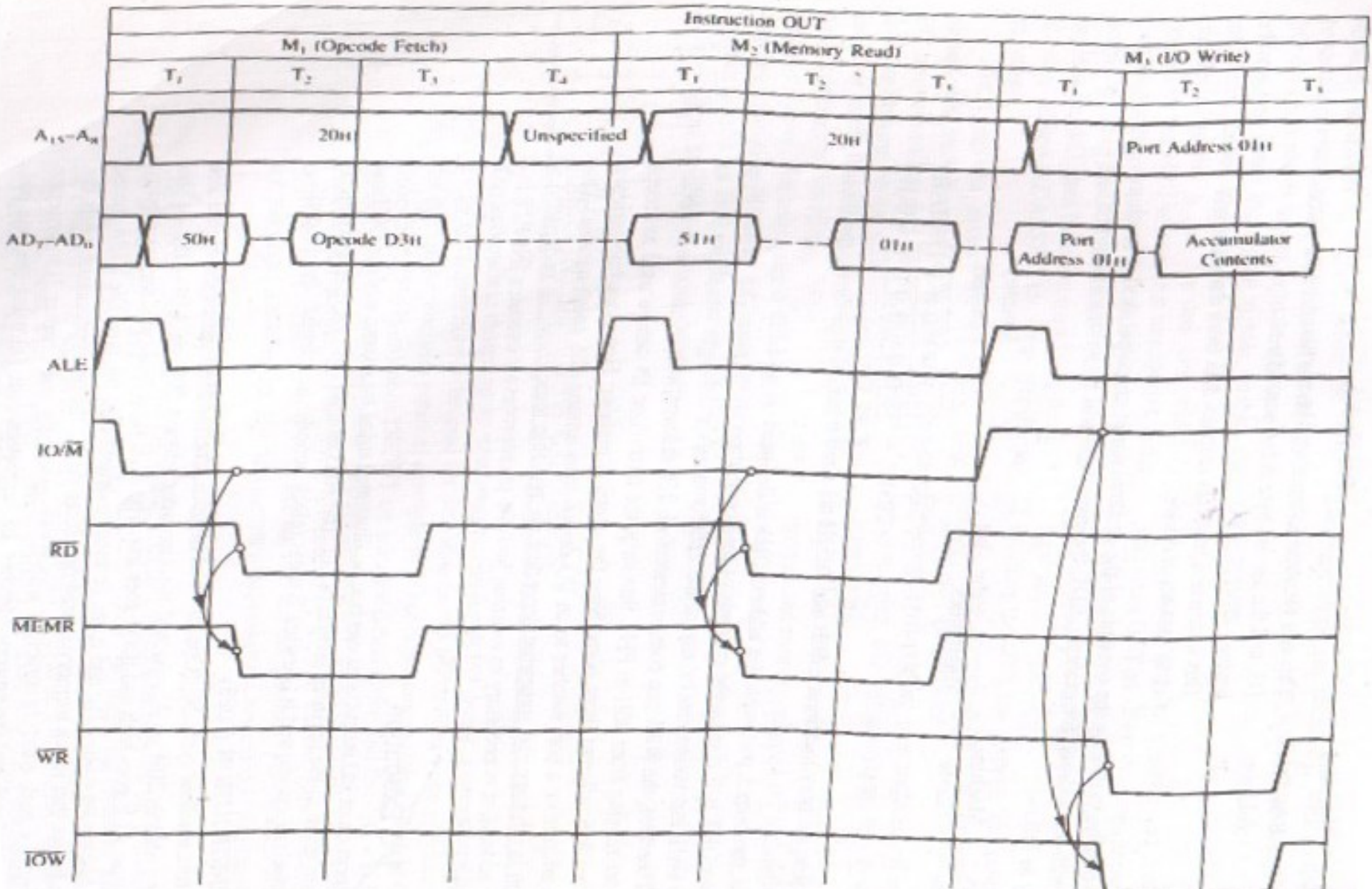
**Instruction IN (code DB) inputs data from an input device into accumulator.**

<b>Opcode</b>	<b>Operand</b>	<b>Description</b>
IN	8-bit Port address	2-byte instruction with hexadecimal instruction DB and second byte is port number of input device.
<b>Memory Address</b>	<b>Machine Code</b>	<b>Mnemonics</b>
2065	DB	IN 84
2066	84	

**Instruction OUT (code D3) sends the content of the accumulator to output device such as LED display.**

<b>Opcode</b>	<b>Operand</b>	<b>Description</b>
OUT	8-bit Port address	2-byte instruction with hexadecimal instruction D3 and Second byte is port number of output device.
<b>Memory Address</b>	<b>Machine Code</b>	<b>Mnemonics</b>
2050	D3	OUT 01
2051	01	

# OUT Instruction (Machine Cycles)



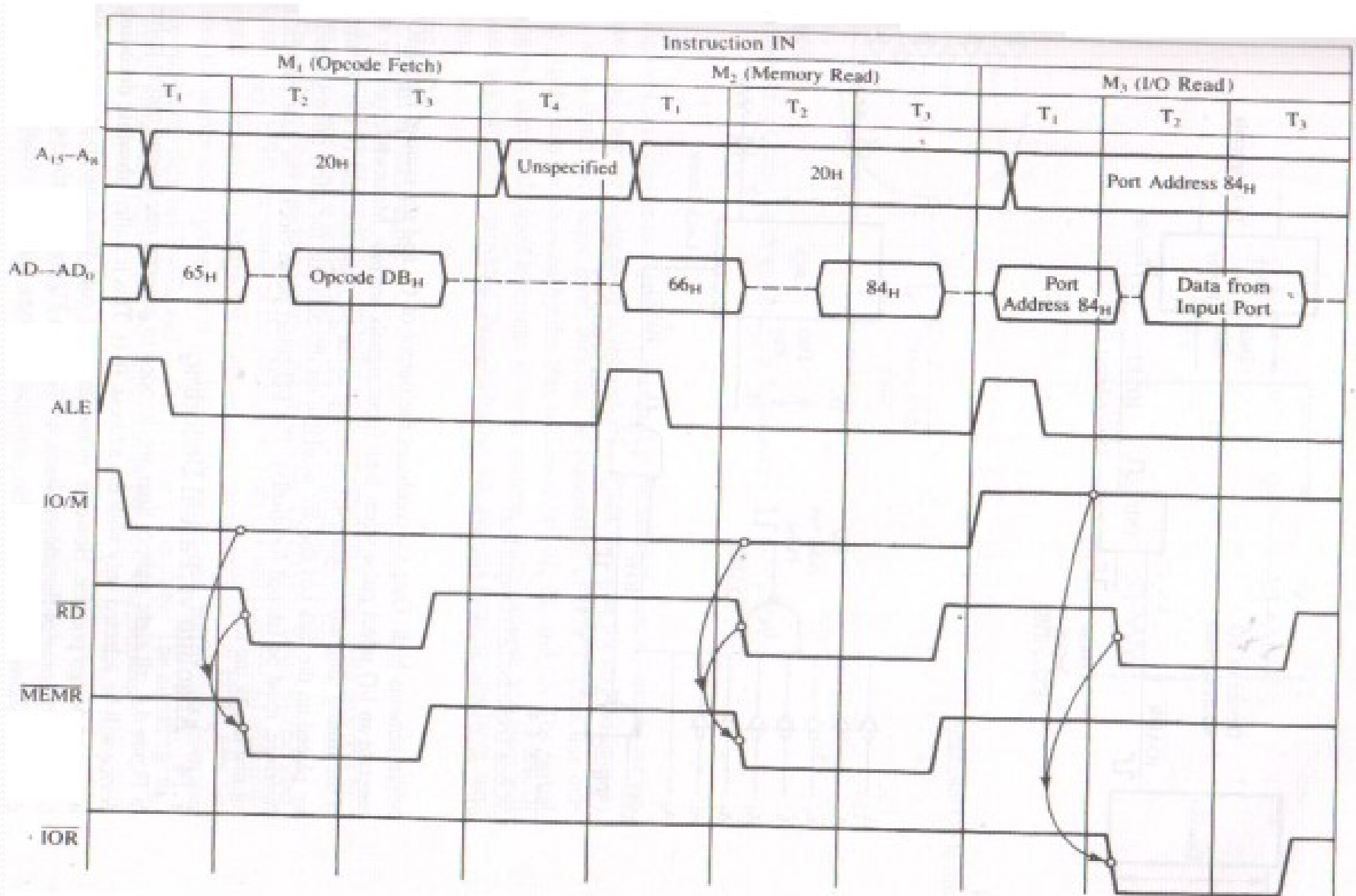


# OUT Instruction

- In First Machine cycle M1(Opcode Fetch), microprocessor places the 16-bit memory address from the program counter (PC) on the address bus. At T1 20H is placed on A15-A8 and 50H is placed on AD7-AD0. ALE goes high, IO/M' goes low indicates memory related operations. ALE indicates the availability of the address on AD7-AD0. At T2 microprocessor sends RD' control signal which is combined with IO/M' to generate MEMR' signal and processor fetches the instruction code D3 using data bus.
- M2 (memory Read), 8085 places next address 2051H on address bus and get device address 01H.
- M3 (I/O write), 8085 place device address 01H on low and high address bus both. IO/M' goes high to indicate I/O operation. At T2 AC contents are placed on data bus followed by control signal WR'. If we connect data bus to latch we can catch the information and display on LEDs and Printer. By ANDing IO/M' and WR' signals IOW' signal enable output device.

**Information necessary for interfacing output device is available during T2 and T3 of the M3 cycle.**

# IN Instruction



# IN Instruction

- In First Machine cycle M1 (Opcode Fetch), microprocessor places the 16-bit memory address from the program counter (PC) on the address bus. At T1 20H is placed on A15-A8 and 65H is placed on AD7-AD0. ALE goes high, IO/M' goes low indicates memory related operations. ALE indicates the availability of the address on AD7-AD0. At T2 microprocessor sends RD' control signal which is combined with IO/M' to generate MEMR' signal and processor fetches the instruction code DB using data bus.
- M2 (Memory Read), 8085 places next address 2066H on address bus and get device address 84H.
- M3 (Memory Read), 8085 place device address 84H on low and high address bus both and asserts RD' signal. IO/M' goes high to indicate IO operation. At T2 data from input port are placed on data bus and transferred to AC. By ANDing IO/M' and WR' signals IOR' signal to enable input port.



# Data Transfer

**For data transfer from input device to processor the following operations are performed.**

- The input device will load the data to the port.
- When the port receives a data, it sends message to the processor to read the data.
- The processor will read the data from the port.
- After a data have been read by the processor the input device will load the next data into the port.

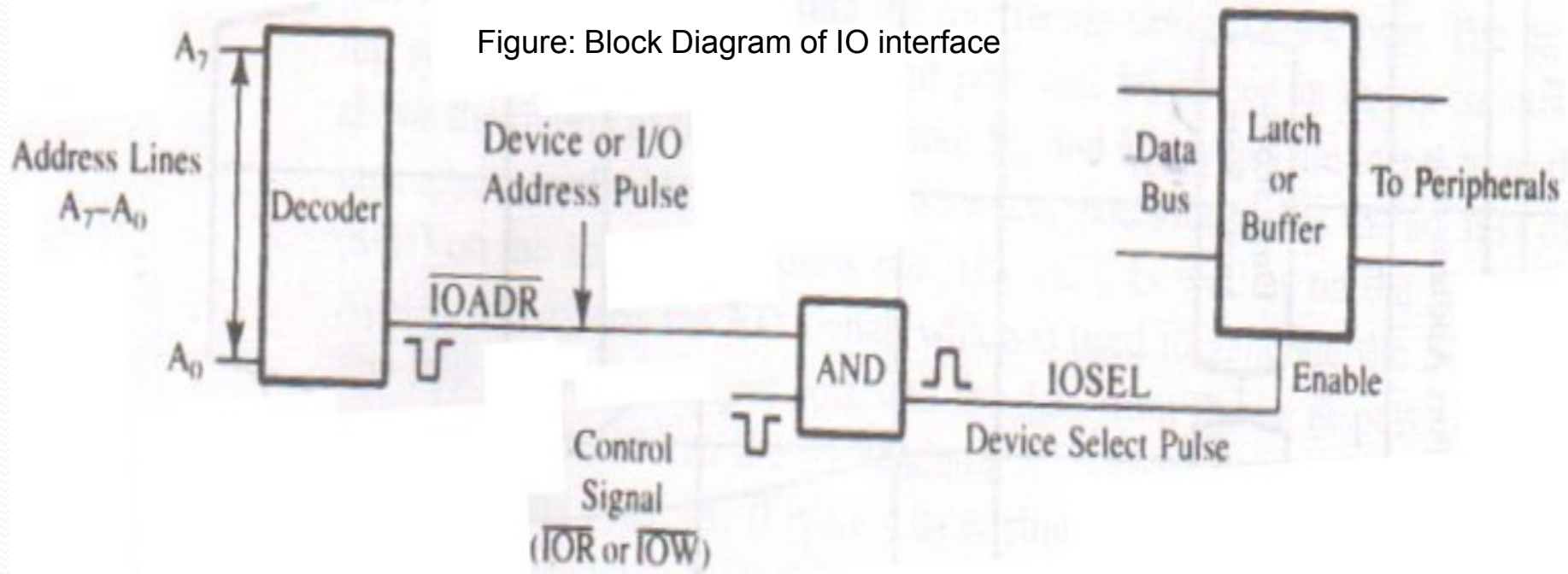
**For data transfer from processor to output device the following operations are performed.**

- The processor will load the data to the port.
- The port will send a message to the output device to read the data.
- The output device will read the data from the port.
- After the data have been read by the output device the processor can load the next data to the port.

# Device Selection and Data Transfer

Steps are summarized as:

- Decode the address bus to generate unique pulse corresponding to device address on the bus called device address bus or I/O address pulse.
- Combine the device address pulse with the control signal to generate a device select pulse (I/O select) that is generated only when both signals are asserted.
- Use the I/O select pulse to activate interfacing device (I/O port).



# Device Selection and Data Transfer

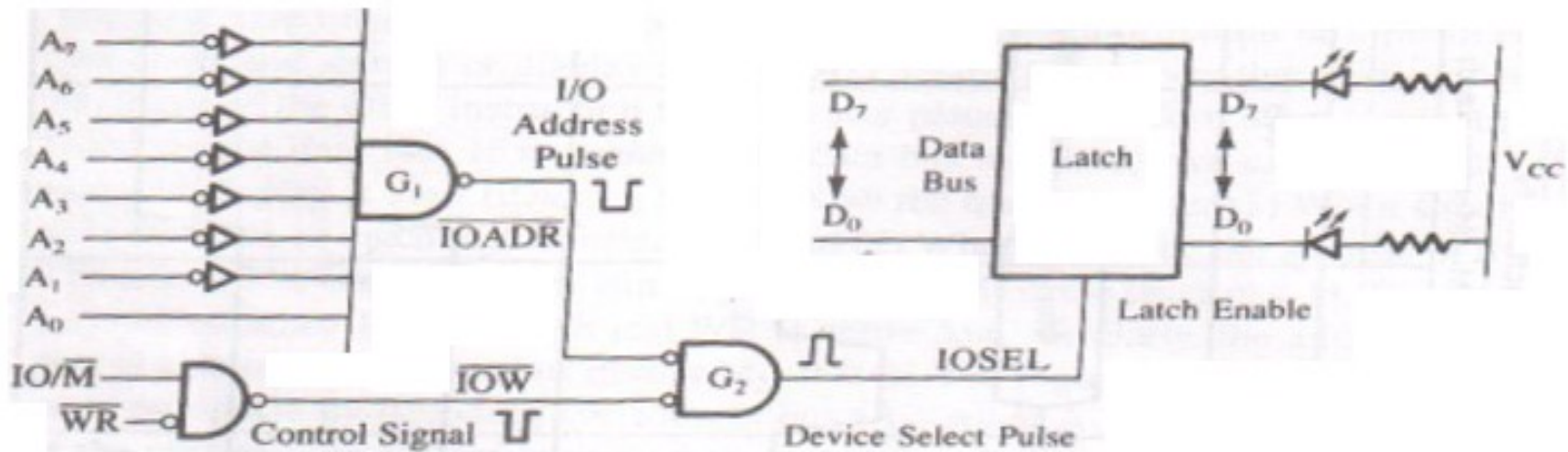
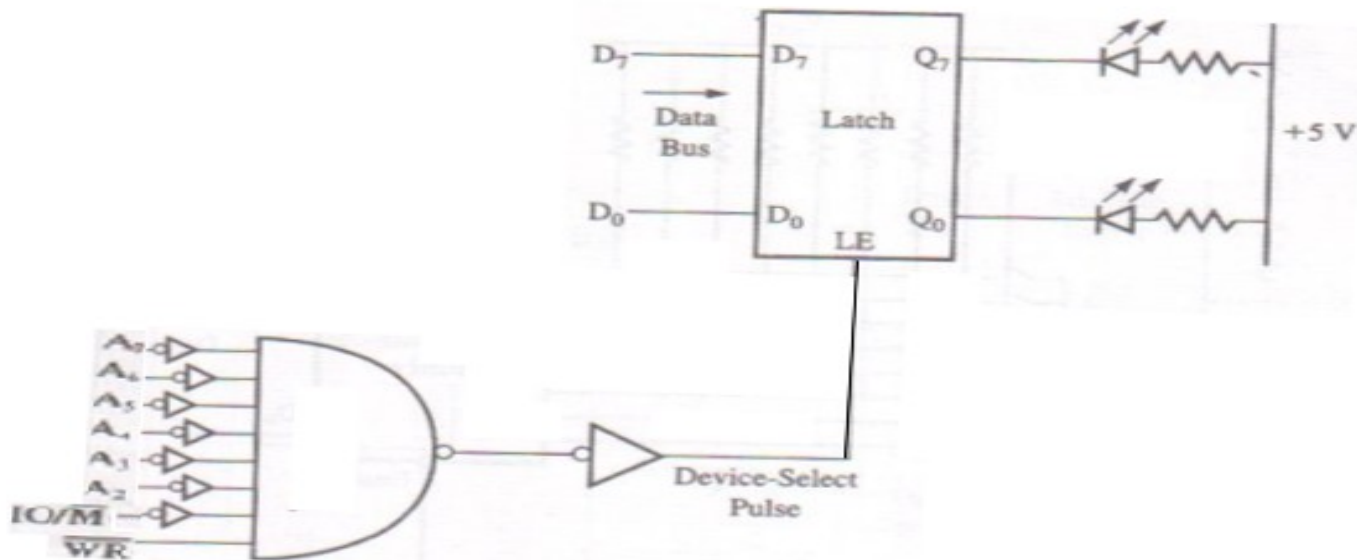


Figure: Practical decoding circuit for the output device with address 01H

- Address lines A7-A0 are connected to 8-input NAND gate that functions as decoder (A0-Directly connected; A7-A1 with inverters).
- When Address bus carries 01H, gate G1 generates a low pulse otherwise output remains high.
- G1 and G2 are combined to generate I/O select pulse which clocks data (AC content on data bus available for few microseconds) into latch for display by LEDs.

# Absolute Vs Partial Decoding

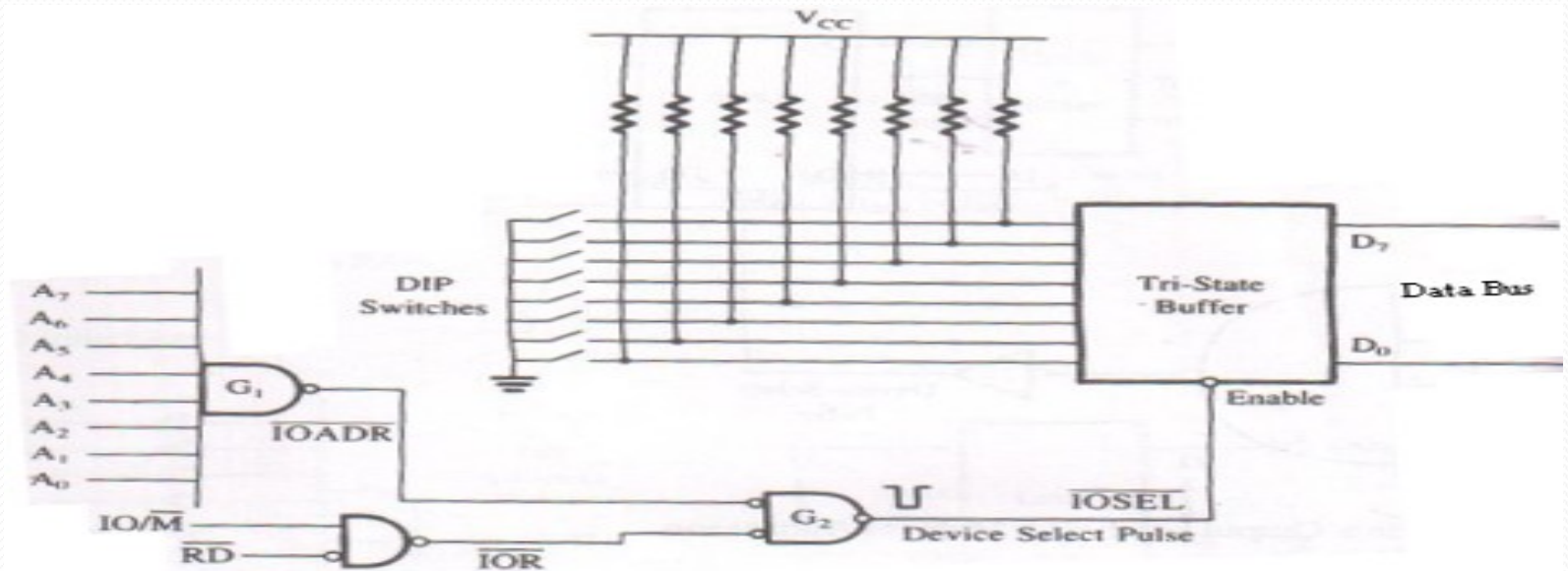
- All eight lines are decoded to generate one unique pulse called absolute decoding like device will be selected only with the address 01H(good design practice).
- To minimize the cost, the output port can be selected by decoding some address lines called partial decoding (device has multiple addresses).
- A1 and A0 are at don't care logic level so output port can access by address 00, 01, 02 and 03(commonly used techniques in small systems).



Partial Decoding Output Latch with Multiple Addresses

# Input Interfacing

Decode logic for a Dip-Switch Input Port

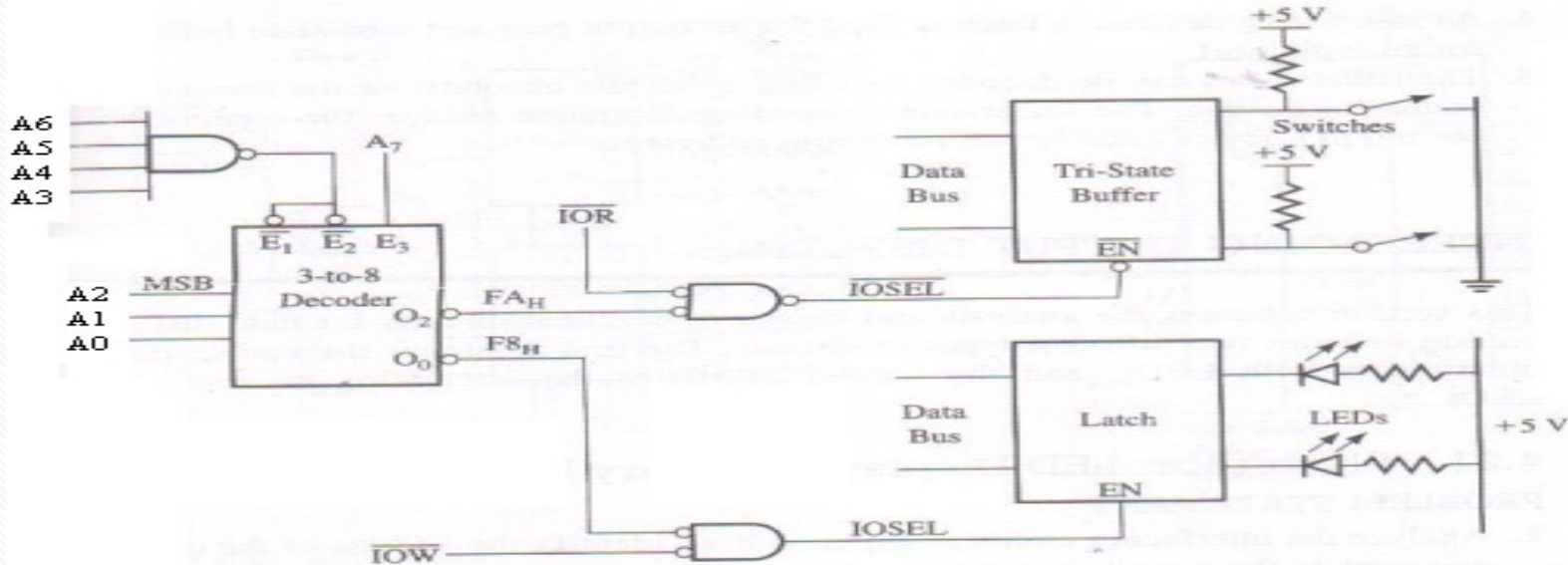


- Address lines are high(FFH), output of NAND gate goes low which is combined by control signal  $\text{IOR}$  which generates Device Select Pulse.
- Device select pulse enable Tri-state Buffer (used as interfacing port). Data flow from keys to the AC.



# Interfacing I/O Using Decoders

Decode logic for a Dip-Switch Input Port



- First Step is to decode the address bus using 3x8 Decoder and 4-input NAND gate. A0 to A2 are used as input and remaining A3 to A7 are used to enable decoder.
- Second step is to decode address with appropriate control signal (IOR'/IOW') output will generate select pulse.
- Third step is to use this pulse to enable I/O port (pulse enables LED latch with the output port address F8H similarly input buffer is enable with address FAH).



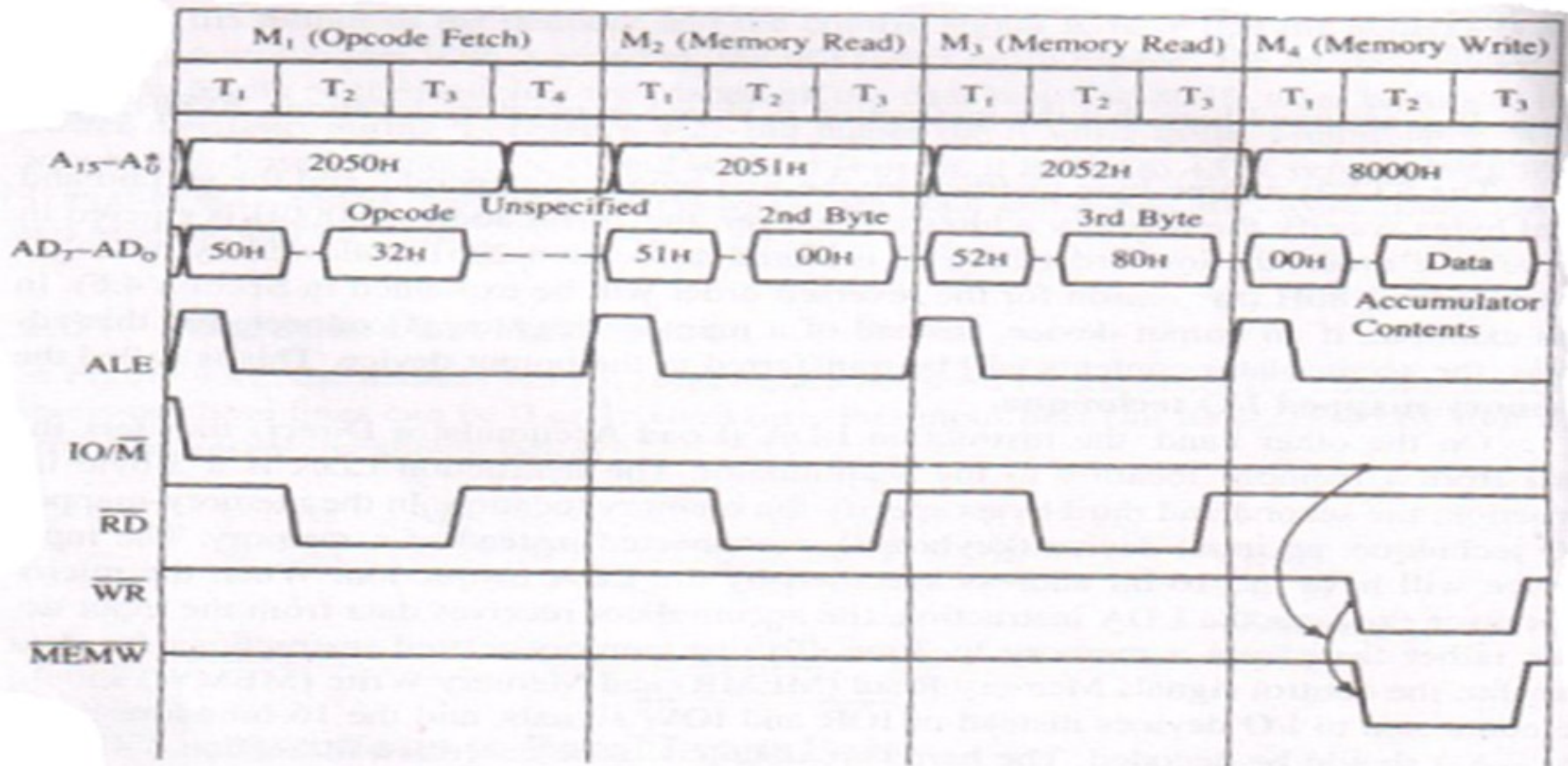
# Memory Mapped I/O

- Instead of using 8-bit address, the full 16-bits of the address bus must be used.
- Instead of using IORD and IOWR, use MEMR and MEMW.
- To transfer data Memory Related Instructions such as LDA(Load AC Direct transfers data from memory to Accumulator), STA (Store contents of AC into Memory)are used.
- IN STA 8000H output device instead of a memory Register is connected to the address, so that accumulator contents will be transferred to output device.

# Memory Mapped I/O

- IN LDA 8000H accumulator receives data from input device rather than Memory.

Execution of Memory Related data Transfer Instruction STA 8000H



\*Demultiplexed Bus



THANK

YOU...