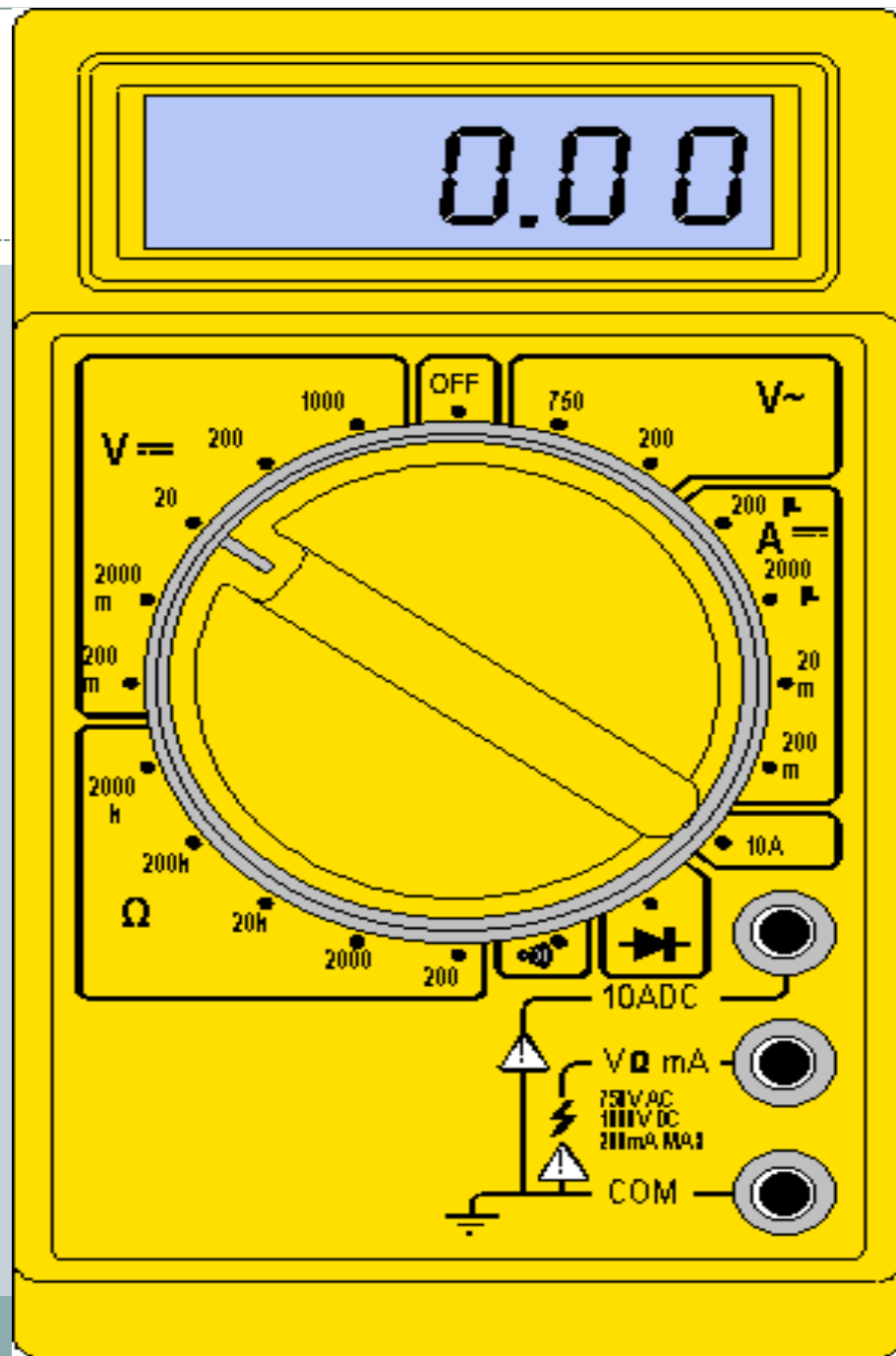


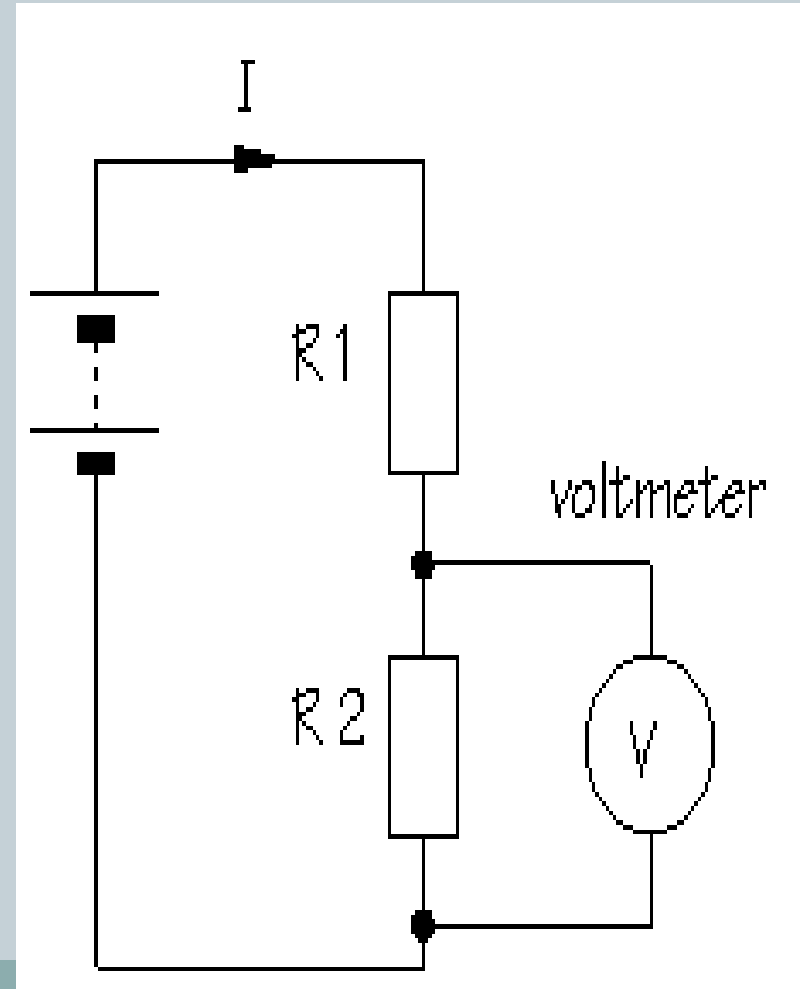
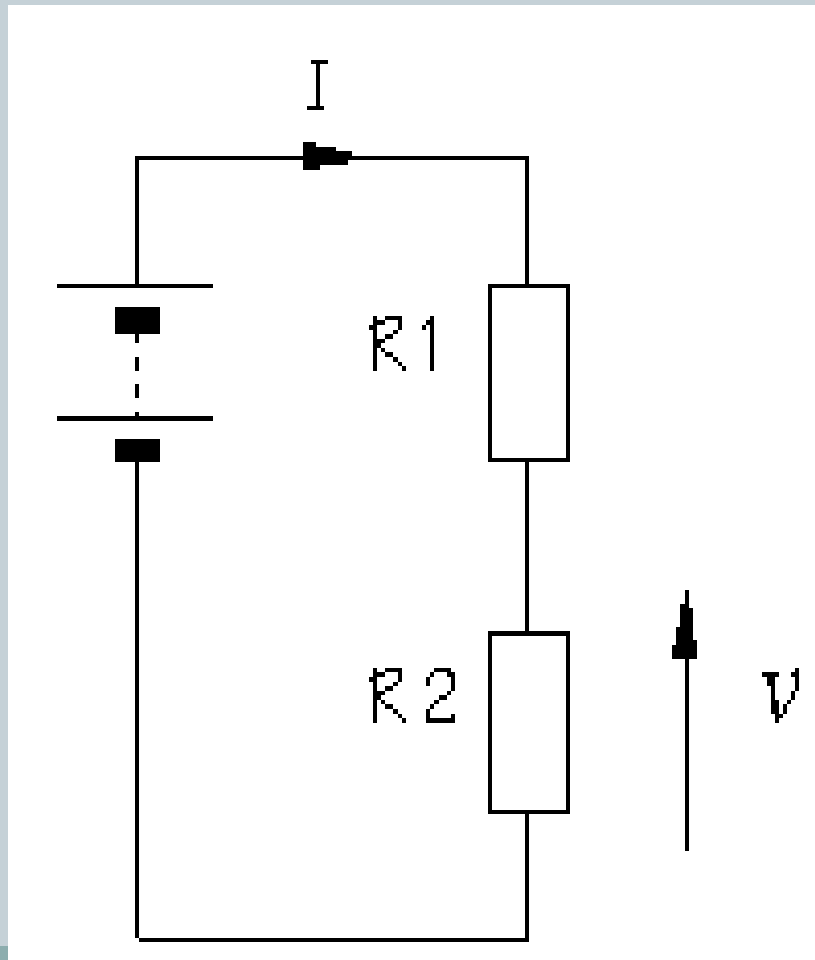
# Multimeter as a Voltmeter

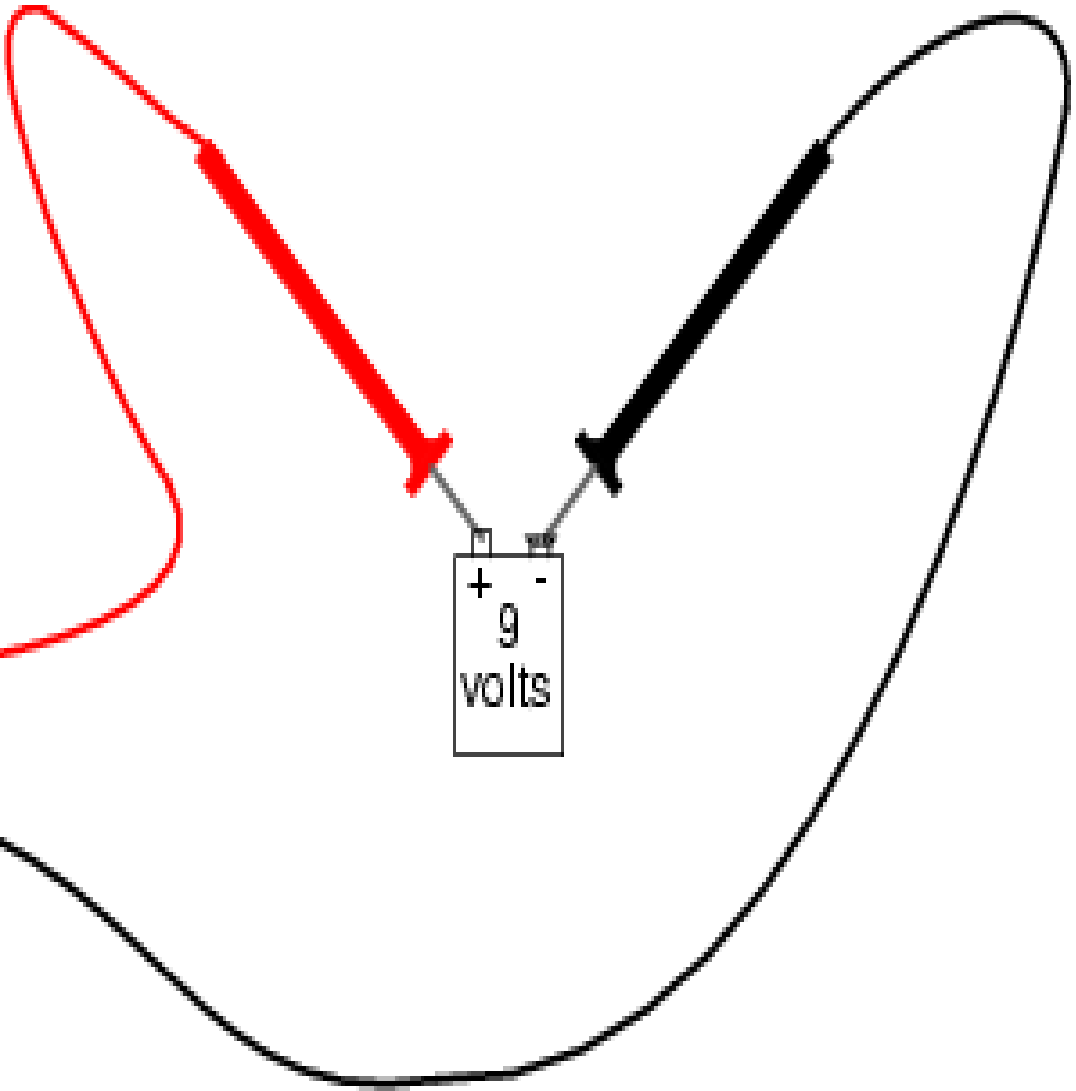
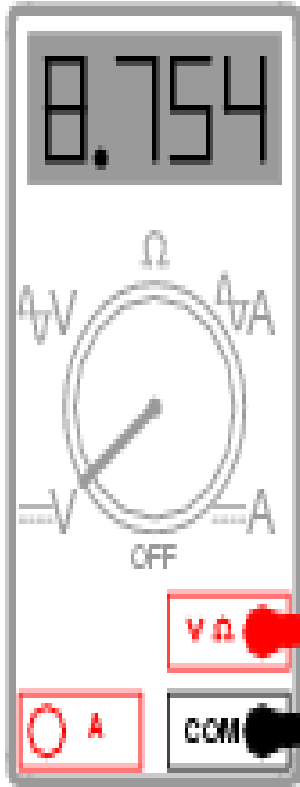


- Select the DC or AC Volts
- If not a auto-ranging multimeter then start at the highest volts scale and work your way down.
- Be very careful to not touch any other electronic components within the equipment and do not touch the metal tips.



# Multimeter as a Voltmeter



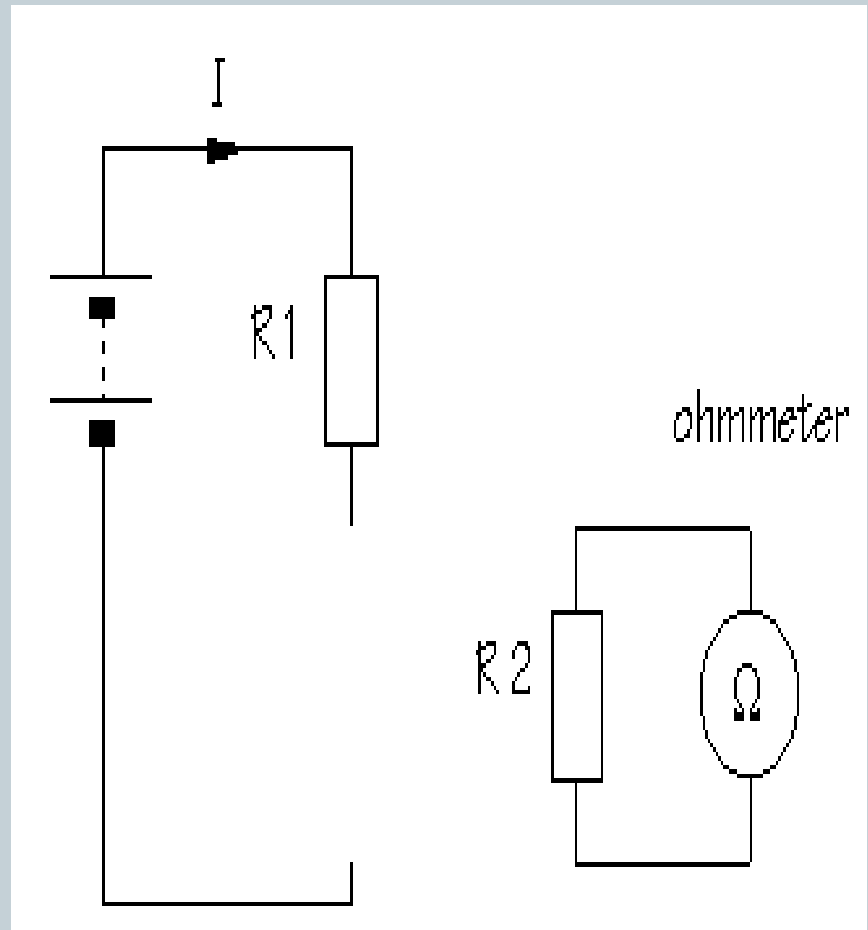
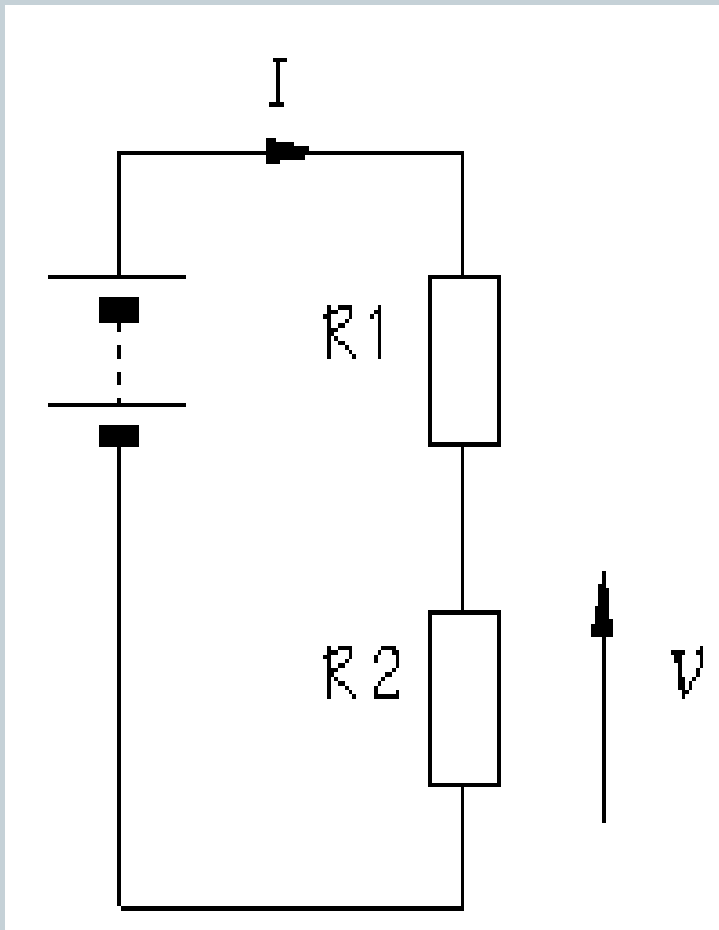


# Multimeter as a Ohmmeter

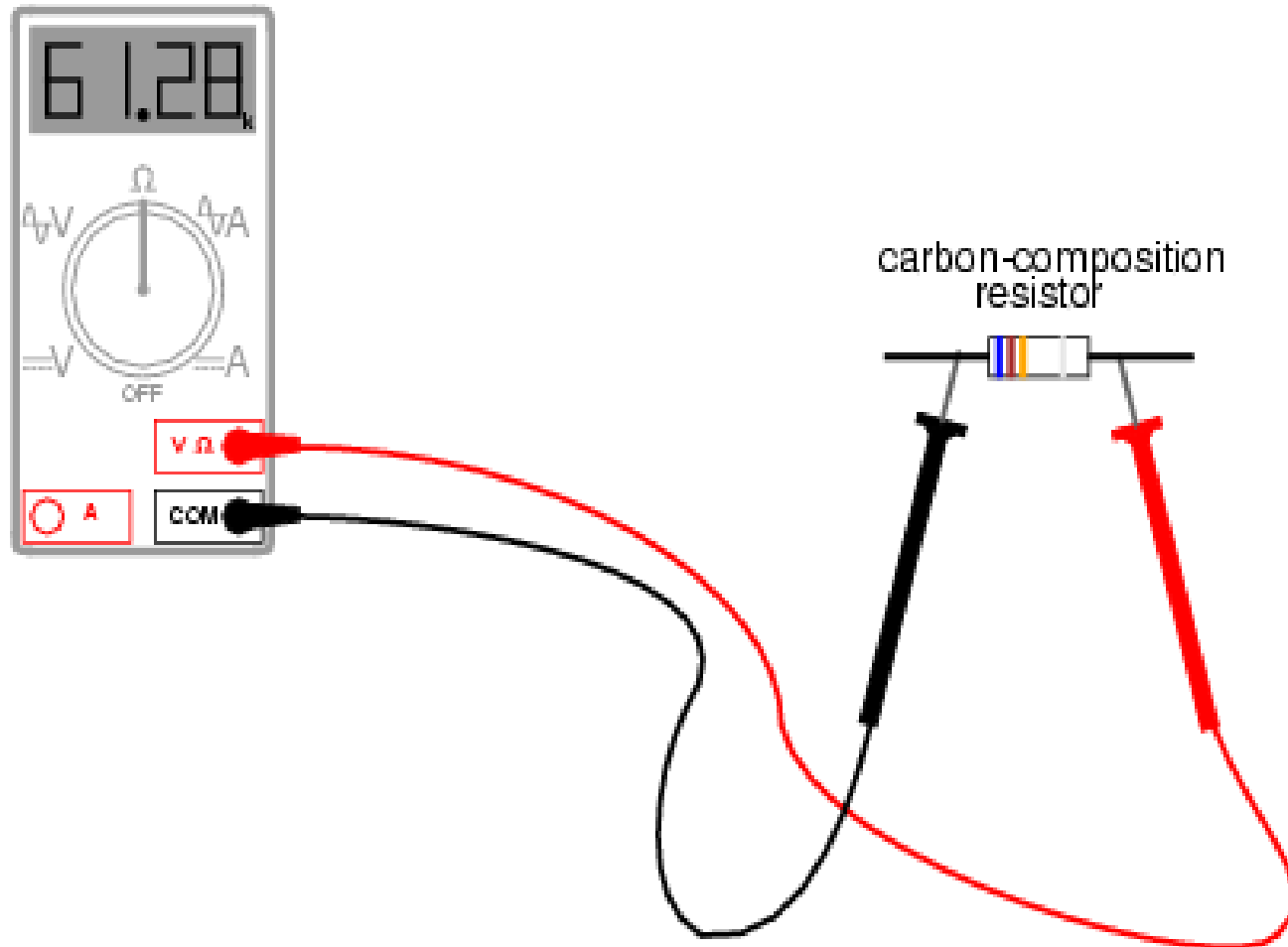


- Power always has to be off
- Component has to be removed from circuit
- Start at lowest Ohm setting

# Multimeter as a Ohmmeter



# Multimeter as a Ohmmeter



# BLOCK DIAGRAM OF DIGITAL VOLTMETER

