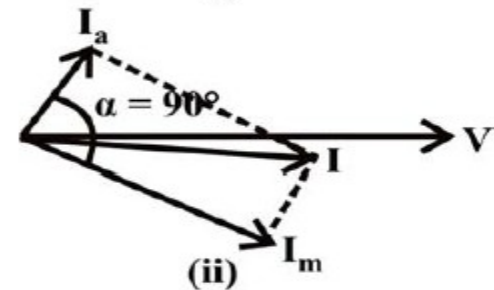
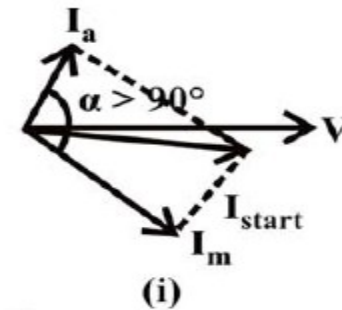
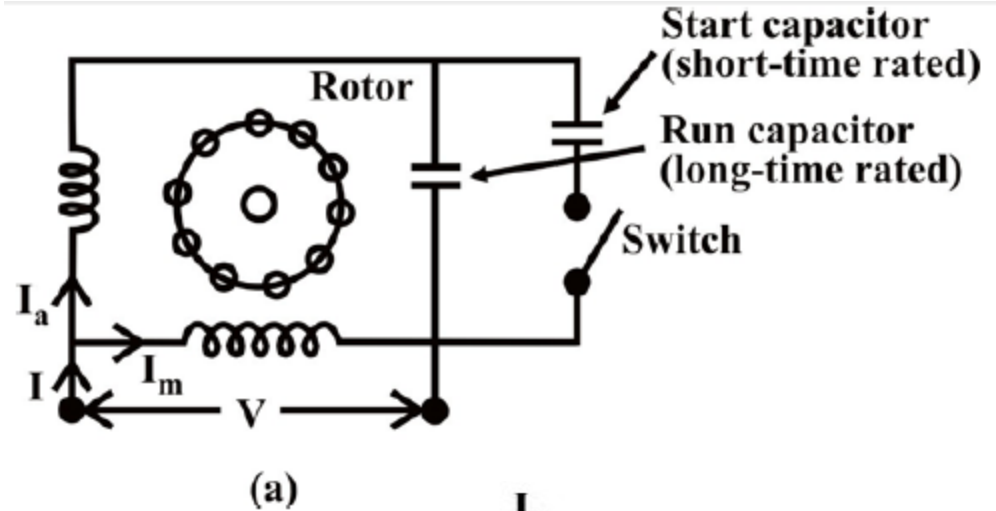


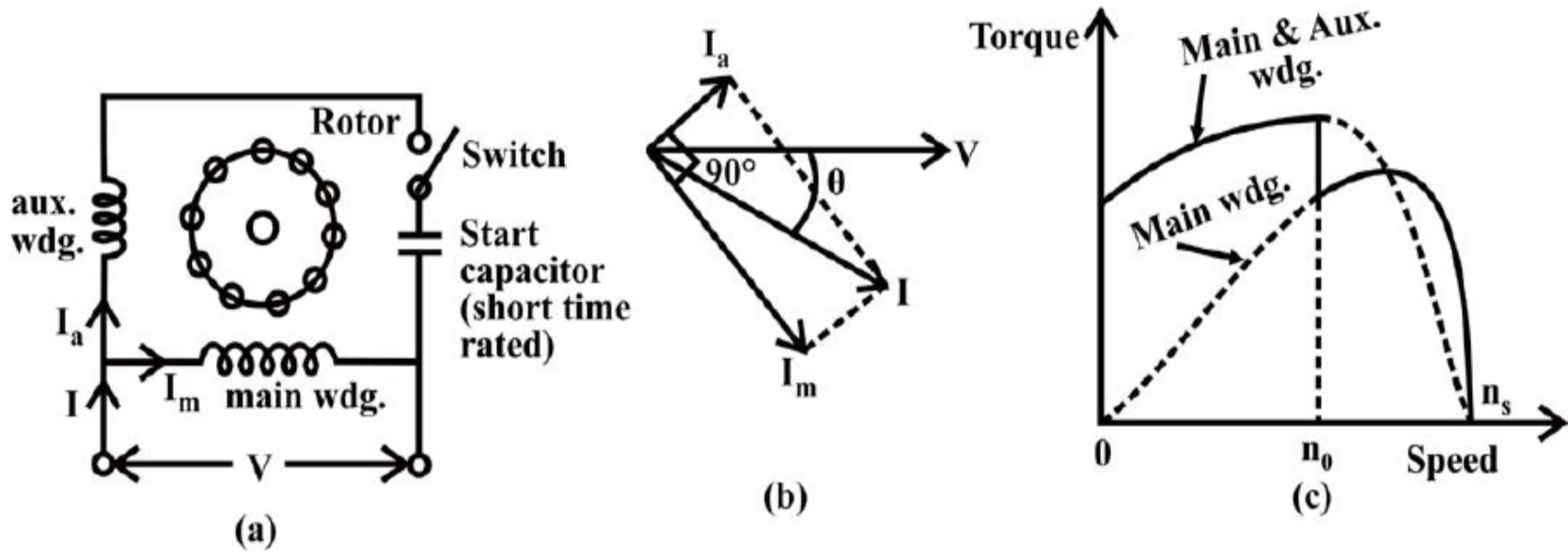
Special Electrical Machines

Capacitor start, capacitor run

- Construction,
- Starting characteristics
- Applications in Compressor, Refrigerator



Capacitor start



used in applications, such as compressor, conveyor, machine tool drive, refrigeration and air-conditioning equipment, etc.

THANKS....

Queries Please...