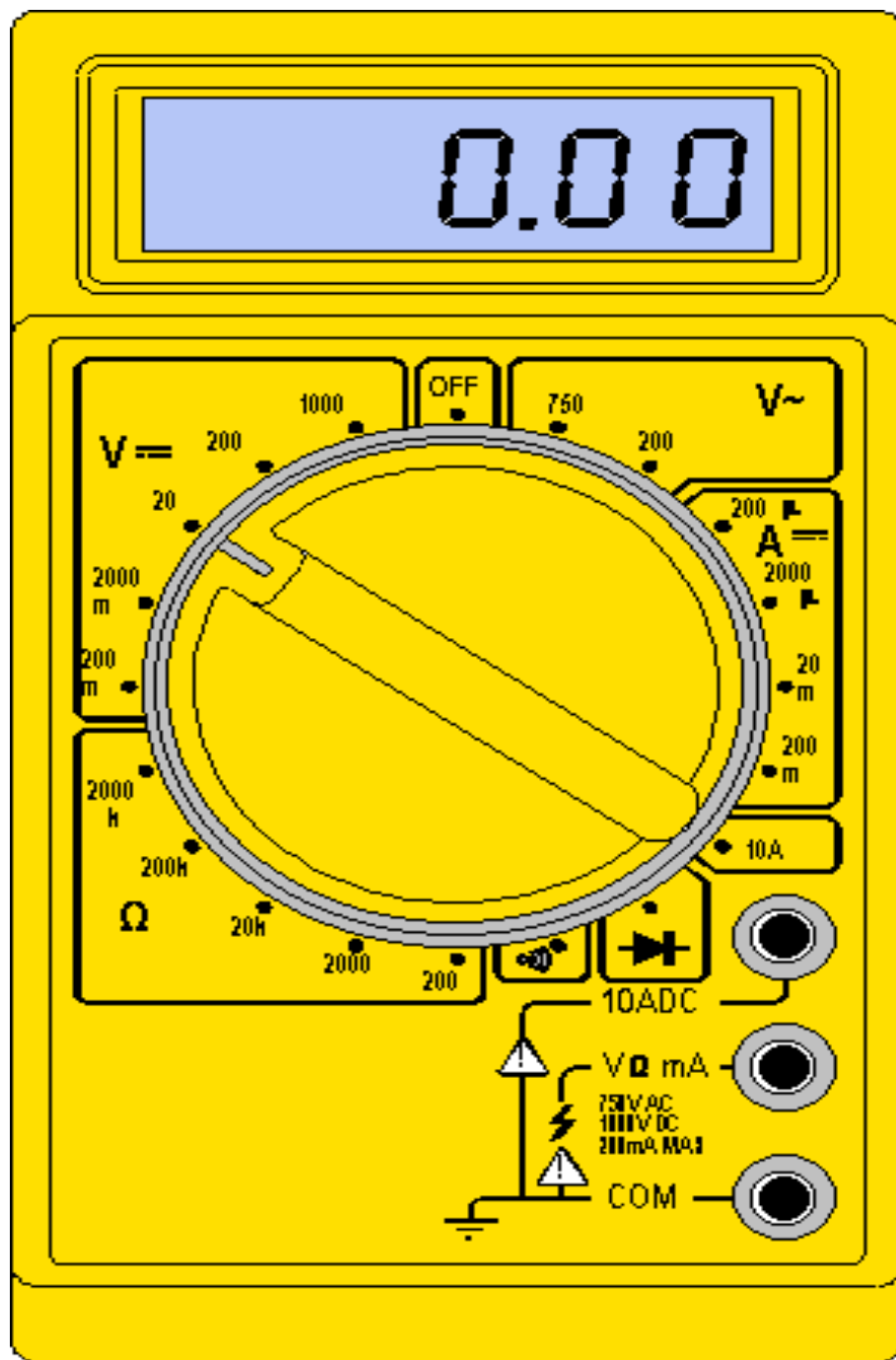
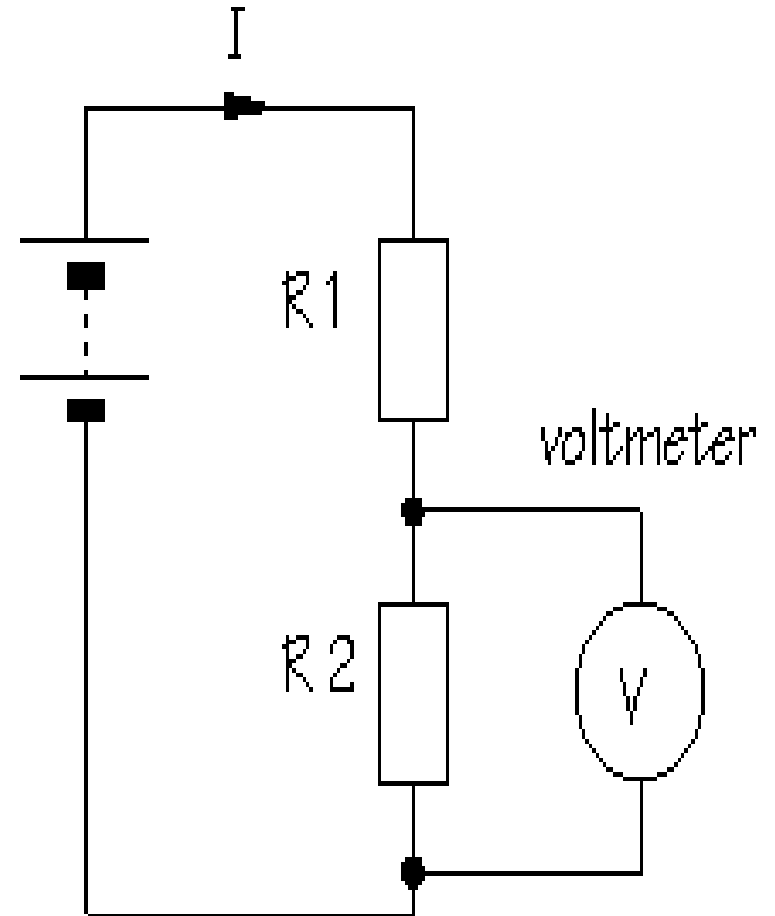
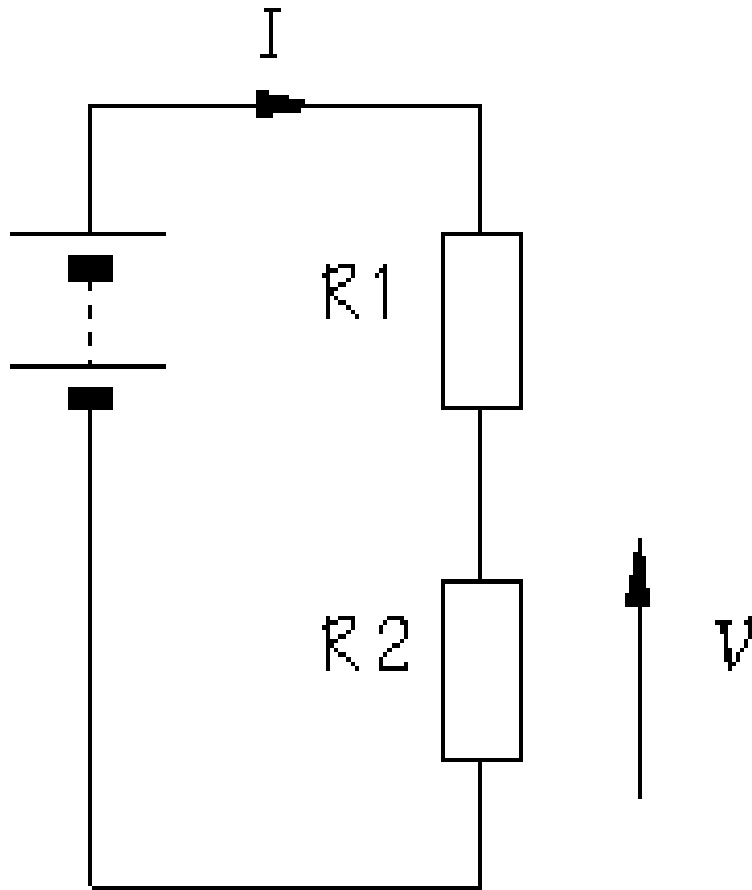


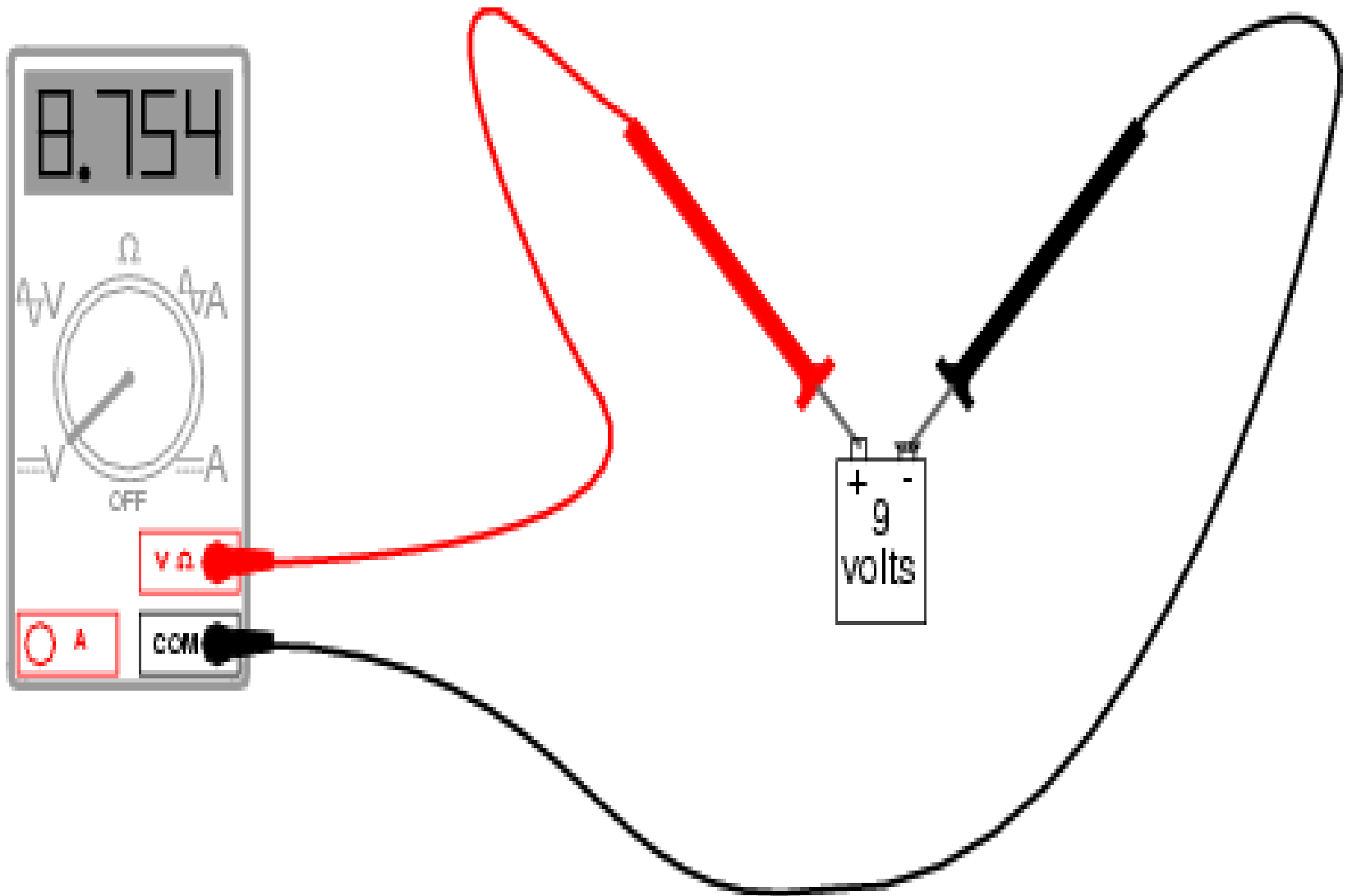
Multimeter as a Voltmeter

- Select the DC or AC Volts
- If not a auto-ranging multimeter then start at the highest volts scale and work your way down.
- Be very careful to not touch any other electronic components within the equipment and do not touch the metal tips.



Multimeter as a Voltmeter

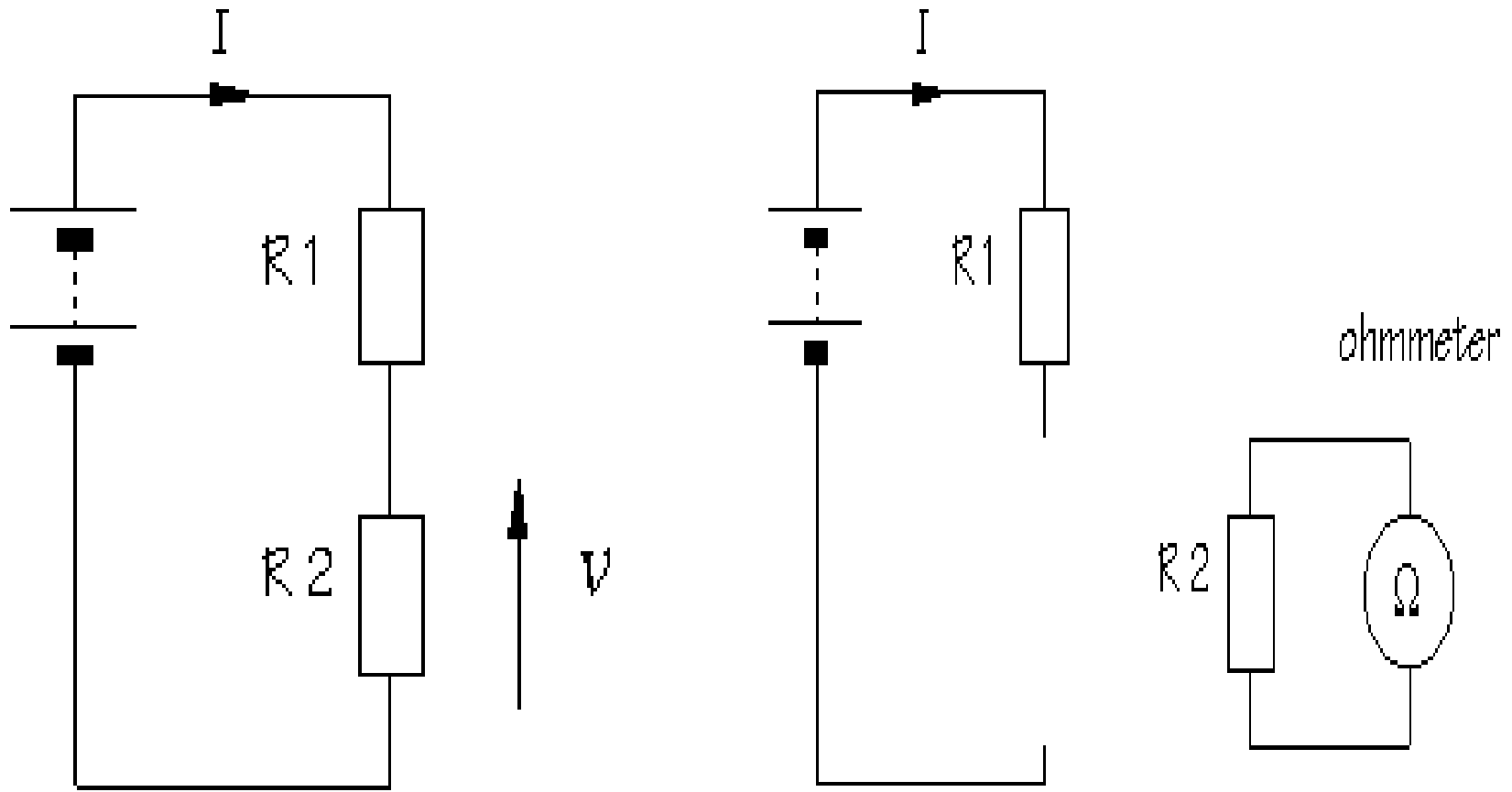




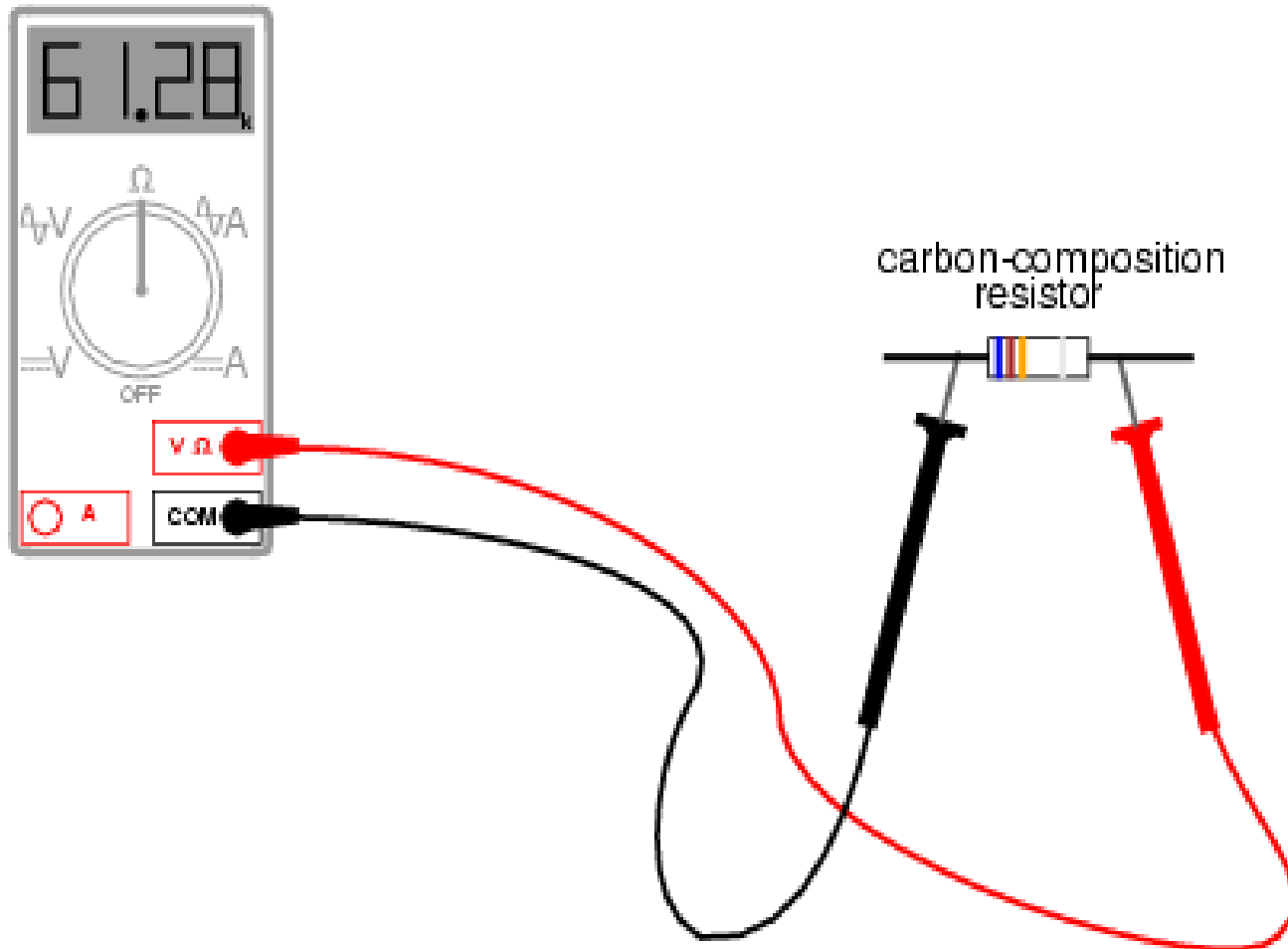
Multimeter as a Ohmmeter

- Power always has to be off
- Component has to be removed from circuit
- Start at lowest Ohm setting

Multimeter as a Ohmmeter



Multimeter as a Ohmmeter



BLOCK DIAGRAM OF DIGITAL VOLTMETER

